

Dozers

DD130

Power 117 kW @ 2 200 rpm (SAE J 1995, Gross)

156.9 HP @ 2 200 rpm

Operating weight XL + RIPPER 14 900 kg

Operating weight LGP1 + RIPPER 15 200 kg

Operating weight LGP2 + RIPPER 15 300 kg



DEVELON

DEVELON

Continuous evolution, for better.

We trace our roots to 1937 as one of Korea's first large-scale machine plants. During that time, we have consistently delivered earth-moving equipment to build critical infrastructure for the betterment of communities, societies and the wider world.

**We are
Develon.**

Develon is a bold name that reflects our core ambition to continue developing onwards and leaving behind a positive footprint in our world. Moving forward, we will continue providing innovative products and solutions that advance the world we live in today.



Never Stop Pushing For More

Develon Dozer pushes the limits of what you can expect from a powerful earthmoving machine – with best-in-class horsepower (gross and net), best-in-class weight (DD130 – base unit) and built-in efficiency features for today's toughest grading assignments.

6-way power-tilt angle blade

The 6-way power-tilt angle blade provides better efficiency and reduces the number of passes on each job by allowing you to lift, tilt and angle it as required. 2D system is fitted as standard to make precision grading easy. The operator simply makes the necessary settings, and the machine controls all the relevant blade functions – finishing the job faster and with better accuracy. No GPS or lasers are required.

Superior visibility

Develon DD130 offers superior visibility:

- Inline pre-cleaner
- Narrow front nose
- Standard rearview camera
- Minimized cab pillars
- Maximum glass area

Comfort

Comfort is crucial for dozing operations. You are always on the move, and dozing and ripping generate a lot of vibrations. The DD130 offers an excellent level of comfort with a high-quality seat. The seat and controls move together on air suspension, to absorb all vibration.

Undercarriage

A highly durable undercarriage withstands the most rugged conditions and keeps maintenance costs low. The exclusive undercarriage design features dual and single flanges rollers.



Best-in-class visibility

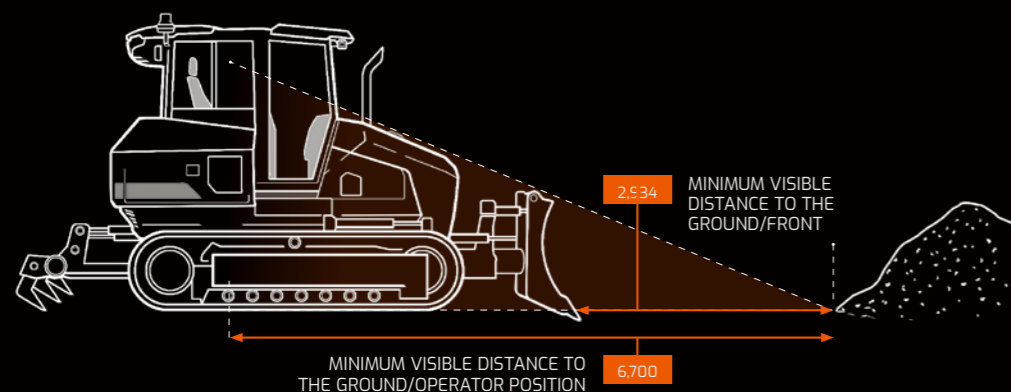
Develon has designed the DD130 for optimal grade visibility. With a built-in pre-cleaner under the hood, a radiator and hydraulic oil cooler positioned at the rear, and a streamlined front end, operators enjoy a clear view of the blade. The cab features all-around, panoramic glass, ensuring situational awareness in any environment. Whether the operator is navigating a crowded construction site or working in tight quarters, he has full situational awareness needed for maximum confidence and productivity.

A leader in visibility to the blade

- Visibility is a top priority in the design of Develon dozers.
- The narrow front nose makes it easier to see your work.
- The hydraulically driven cooling system for the radiator/oil cooler module is located at the rear of the machine, giving an unobstructed view over the blade.
- The in-line pre-cleaner is located under the hood to provide the operator with a clearer view ahead.
- Ultra-compact front cab pillars minimize obstruction, and all-glass doors mean a larger glass area and maximum visibility.
- Standard features include a rearview camera, four high-illumination LED lights and four premium, smooth-glide wiper blades.



See what others can't see





**Make rough
terrain feel
like home**

Keep pushing in comfort

Develon dozers are designed with high-traffic job sites, challenging work and long days in mind. Superior visibility and quiet, comfortable cabs make rough terrain feel like home for operators of all skill levels.

Comfort and safety features

The heating and air conditioning system features multiple air vents in the front, rear, and floor areas to keep operators comfortable in all seasons.

Front and door glass defrost vents improve visibility. The front glass defrost system meets EN474 ISO10263 defrost standards.

The cab's suspension system (CabSus mount) dampens vibrations and provides outstanding protection against impact. Driving Shock Improvements delivers a smoother ride, even when starting and stopping the dozer.

The hands-free audio system lets the operator choose AM/FM, pair and connect a Bluetooth® device, make and answer phone calls in hands-free mode and play audio from a USB device.

A variety of features are provided to improve operator safety, including an Operator Presence Switch (OPS) that stops the machine when the operator stands up, a seatbelt warning alarm and a rotating beacon. Develon DD130 dozer meet the safety standards of ROPS (Roll Over Protective Structure) and FOPS (Falling Object Protective Structure) requirements.



Make a hard job easily done



Intake system

A high-efficiency, integrated pre-cleaner improves filter life. The standard in-line pre-cleaner is integrated with the air cleaner and the whole assembly is compact enough to fit inside the small engine compartment. Self-cleaning and maintenance-free, the system expels all types of mixed debris, including mud, snow, rain, leaves, sawdust, and chaff.

Hydraulically controlled cooling system

The hydraulic system includes reversible fans as a standard feature. Operators can set the fans to reverse automatically at a predetermined time interval. The cooling system is located in the rear of the machine instead of the front. This results in a more compact front engine compartment and better visibility over the blade.

Easy maintenance

When maintenance is needed, the dozer's cabin tilts up to provide convenient access. There's no need to disassemble the cab to reach critical components. Regular inspection points are easily accessible at ground level.

Fuel system

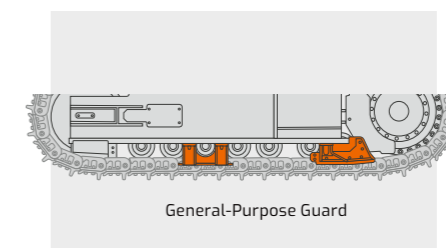
An easily accessible, filter-type, high-performance water separator effectively captures moisture in the fuel, reducing impurities and helping to eliminate contamination. Standard pre-filters and dual main filters achieve a high degree of purity, minimizing fuel system failures.



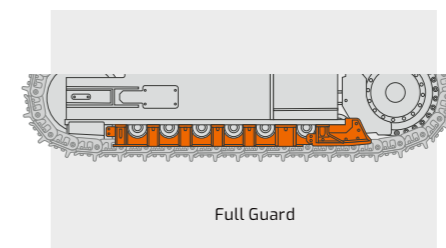
Machinery that stands the test of time

Durability in a dozer

Dozer work can be punishing on machine components. Develon DD130 dozer is engineered to withstand the harshest conditions and for easy maintenance to keep you pushing ahead.



General-Purpose Guard



Full Guard

Track guard options

Two track guard options, general-purpose and full guard, offer exceptional performance and uptime protection.

Different track shoe options are also available to help distribute load on the ground to suit site conditions.

- Thinner tracks are best for rugged, rocky environments.
- A low-ground pressure tracks are best for sandy soil conditions.



Exclusive undercarriage design

Develon has developed a unique dozer undercarriage system to help lower total cost of operation. The undercarriage features sealed and lubricated components, as well as single and dual-flange rollers, to improve durability and extend component life.



Dual-flange rollers work outside the track chain while single-flange rollers sit inside. This combination helps ensure that the track stays on the undercarriage, reducing wear and improving operator comfort.

Areas of the undercarriage subject to the most wear and tear are easy to access.

Fully electronic controls

All in the palm of your hand

Develon dozers are designed to meet the needs of operators of every skill level. Electrohydraulic controls are fitted as standard, making Develon machines easier to work with even for inexperienced operators. The ergonomically designed joystick offers low-effort control to reduce operator fatigue.



Do more in less time

The Develon dozer cab layout and controls are similar to those of Develon -7 Series excavators and wheel loaders. Operators are therefore more productive as they move from machine to machine throughout the workday.

Premium features come as standard

The user-friendly, multilingual Smart Touch display, a standard feature, shows all important settings and information on the one screen. This easy-to-read touch screen lets the operator monitor critical dozer functions and control machine settings, the rear-view camera, heating and cooling, radio, Bluetooth wireless technology and more besides.



Dozing assist control

For greater precision

Dozing Assist control comes as standard to enhance the precision of all operators, whether seasoned grading professionals or those just starting out. They only need to program the necessary inputs, for a single slope or even two slopes. The machine then takes over, autonomously managing the blade to complete the task swiftly and with unparalleled accuracy. The best part? No need for GPS or lasers – meaning that the entire process is more streamlined and user-friendly.



- Values in green represent real-time blade roll or tilt, in automatic mode, to match target slopes.
- The values 3% and 1% represent the target slopes. These values can be adjusted by the operator using the joysticks.
- The DAC indicator lights on when Dozing Assist Control is activated.

Develon Fleet Management > Management on the job site > Work efficiency management > Preventive management > Proactive service

Monitor your equipment from anywhere

To compete and succeed, your equipment needs to maximize job site productivity and the bottom line. Develon machines do both. To ensure a high return on investment, we add more premium features as standard equipment on every model. Our standard features are often options that other manufacturers only provide at extra cost. By including them as standard, Develon gives you a competitive edge – helping operators work more efficiently and improving safety during long days on the field.

> Telematics terminal

Terminal device is installed and connected to a machine to capture machine data.

> Telecommunication

Develon provides dual-mode (Mobile, Satellite) communication to maximize communication coverage.

> Develon Fleet Management WEB

Users can monitor machine status from Develon Fleet Management Web.



Operation trend

Total operation hours and operation hours by mode.

Fuel efficiency*

Fuel level and fuel consumption

Reports & Location

Operation report & utilization. GSP and geo-fence.

Warning & Alert

Detect machine warnings, antenna disconnection, and geo/time fence

Filter & Oil management

Preventive maintenance by item replacement cycle.

*Functions may not be applied to all models. Please, contact your sales representative for more information on this feature.



Attachments

Dozer attachments bring added versatility to the job and are built to Develon machine specifications for superior reliability and performance.

Parallel 3-Shank ripper attachment



The Develon dozer comes equipped with piping for the easy integration of an optional parallel 3-shank ripper attachment. The ripper attachment features a parallel linkage that helps maintain a constant angle to the ground regardless of height. This attachment helps quickly break up hard, rugged materials before grading.

Towing draw bar attachment



Attach a towing draw bar to your dozer for easy towing of other equipment around the job site.

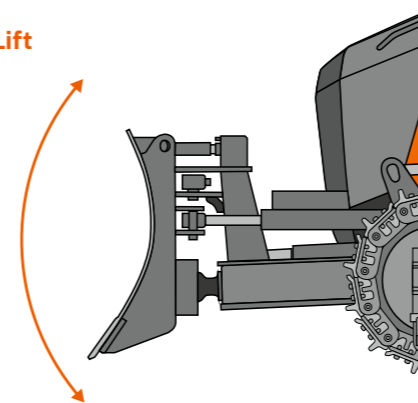
Two blade options



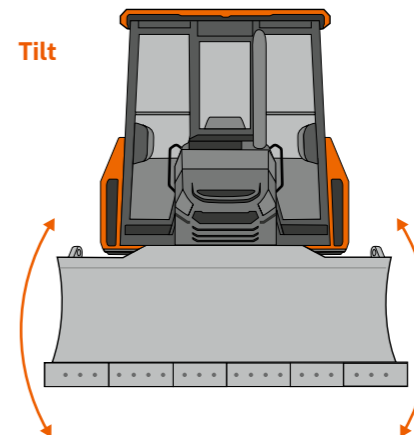
Choose from a standard (XL) blade or a low-ground pressure (LGP) configuration. See model spec sheets for blade capacity details.

Blade tilt

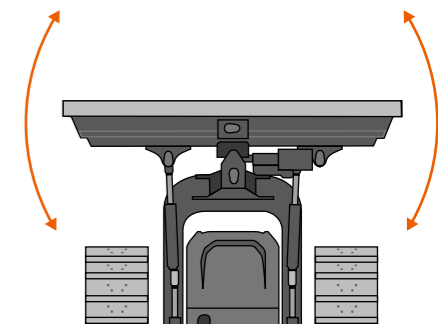
Lift



Tilt



Angle



Dimensions

Classification		Dimensions	XL	LGP1	LGP2
Height	H1	Machine height from tip of grouser (cab)	3 130	31 30	3 130
	H1'	Machine height from tip of grouser (with guard)	3 180	3 180	3 180
	H2	Blade height	1 115	1 115	1 115
	H3	Blade lift height	1 110	1 110	1 110
	H4	Digging depth	405	405	405
	H5	Maximum tilt height (blade)	435	510	470
	H7	Ground clearance (W/O grouser)	355	355	355
	H8	Ripper height	1110	1110	1110
	H9	Ripper Digging depth	280	280	280
	H10	Maximum ground clearance under tip – ripper	585	585	585
	H11	Grouser height	57	57	57
Length	L1	Overall length with blade & ripper	6 030	6 030	6 030
	L1'	Overall length with blade only	5 035	5 035	5 035
	L4	Track length	3 690	3 690	3 690
Width	W1	Overall width (Blade width)	3 105	3 655	3 345
	W2	Overall width at max. angle	2 870	3 370	3 090
	W3	Blade width at max. angle	2 870	3 370	3 090
	W4	Machine width – without blade	2 330	2 760	2 710
	W5	Track gauge	1 770	2 000	2 000
	W6	Shoe width	560	760	710
	W8	Overall ripper width	1 860	1 860	1 860
	W9	Ripping width	1 740	1 740	1 740
	W10	Distance between shank (ripper)	870	870	870
	Angle	A1	Maximum blade angle	25	25
A2		Maximum tilt angle	8	8	8
A3		Blade cutting edge angle (adjustable)	52°-58	52°-58	52°-58

Rear attachments

Item	Unit	Figure	Remarks
Body W/O Front	kg	12 280	with shoe
SHOE	kg	2 970 / 2 850 / 2 500	LGP1 / LGP2 / XL
C-frame assy	kg	956	with cover
- C-Frame	kg	700	with cover
- Lifting CYL. (2ea)	kg	92	with bush
- Angle CYL. (2ea)	kg	89	with bush
- Tilt CYL. (1ea)	kg	54	with bush
Blade assy XL	kg	933	
Blade assy LGP1	kg	1 072	
Blade assy LGP2	kg	992	
Ripper assy	kg	865	

Ground contact area

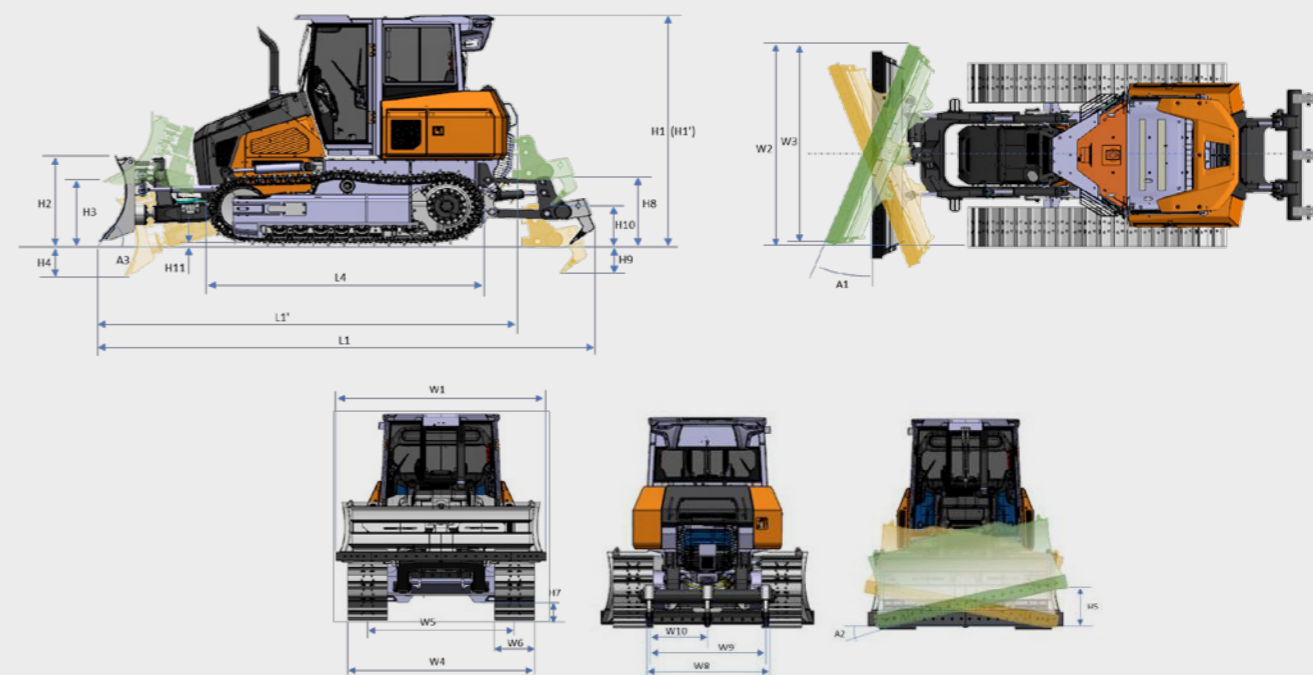
	cm ²
XL version with 560 mm shoes	33 818
LGP1 version with 710 mm shoes	42 875
LGP2 version with 760 mm shoes	45 895

Front attachments

	Width (mm)	Capacity (m ³)	Weight (kg)
Blade XL	3 103	3.54	929
Blade LGP1	3 653	4.18	1 071
Blade LGP2 (EU)	3 343	3.75	992

Rear attachments

	Width (mm)	Weight (kg)	Type
Ripper	1 964	866	Parallellogram
Towing drawbar			



Standard & Optional equipment

Standard

Dozing Assist Control System	•
Non rear attachment	•
Hydraulic piping for ripper	•
710 mm LGP shoe	•
Normal track guard	•
VPAT BLADE 3.75 m ³ and 3 343 mm width	•
DAB Audio (handsfree & bluetooth)	•
Rotating beacon	•
Full LED working lights pack	•
Translation alarm	•
Develon connect 3.0 Global Dual (Sat+Cell)	•
Seat belt warning	•

Optional

Parallel Ripper 3 teeth	•
Towing Draw Bar	•
510 mm shoes with VPAT blade 3.54 m ³ and 3 100 mm width	•
760 mm shoes with VPAT BLADE 4 180 m ³ and 3 653 mm width	•
Forestry Guard	•
Full track guard	•

*Some of these options may be standard in some markets. Some of these options may not be available for certain markets. Please, check with your local Develon dealer for more information about availability or to adapt your machine to your application needs.

DEVELON

Technical specifications

DD130



Engine

Engine system	PERKINS
Model	1204J
Number of cylinders	4
Rated power, gross (hp per SAE J1995)	117.0 kW @ 2200 rpm
Rated power, net (hp per SAE J1995)	156.9 HP @ 2200 rpm
Maximum torque	710 N.m @ 1400 rpm
Variable geometry twin turbocharger (2-Stage)	
Displacement	4,400 cc
Bore and stroke	4.1 in. x 5.0 in. (105 mm x 127 mm)
Starter	24 V, 10.5 hp (7.8 kW)
Battery system voltage	24 V, 12V x 2, 100 AH
Alternator voltage	24 V, 100 amp
Air cleaner	Dual element

Hydraulics

Main pump Type: variable displacement axial piston pump	60 cc/rev
Max. flow rate	132 Liter/min
Pump cut-off pressure	265 bar
Fan pump	30.34 cc/rev
Max. flow rate	66.75 Liter/min
Relief valve pressure	205 bar
Travel speed (f/r)	5.6 mph (9.0 km/h)
Max. traction force (drawbar pull)	48.5 kipf (22.0 ton.f)

Noise Level

Guaranteed sound power level	106 dB(A) (2000/14/EC)
Measured sound power level	105 dB(A) (2000/14/EC)
Operator noise	76 dB(A) (ISO 6396)

Travel system

HST pump axial piston	2 x 71 cc/rev
Max. flow rate	2 x 156.2 Liter/min
HST motor swash plate, axial piston	2 x 160 cc/rev
Max. Flow rate	2 x 312 Liter/min
Reduction gear type	2-STAGE PLANETERY GEAR
Reduction gear ratio	50.6
Max. output torque	62.7 / 34.7 kN.m (6 398 / 3 543 kgf.m)
Travelling performance travelling speed	9 km/hr
Max. traction force	22 ton

Develon Warranty

Your key to equipment protection and peace on mind

Unlock unparalleled protection for your heavy construction equipment with Develon. Our robust warranties and premium protection plans ensure your investment is safeguarded and adds lasting value.

Tailored warranty plans

Choose from a range of affordable protection plans, designed exclusively for Develon customers through our authorized dealers. These plans turn your machine's price into a strategic investment, not just an expense.

Develon Premium: Premium protection

Opt for Develon Premium to experience unmatched security, reliability, and overall value. This top-tier plan shields your equipment from unexpected costs and minimizes downtime, letting you focus on what matters – getting the job done*.

Act now!

Contact our authorized Develon Dealers today and fortify your equipment investment. With a seamless process and lasting benefits, Develon ensures your heavy construction equipment remains in peak condition.

Choose Develon Extended Warranty: Play safe and secure your investments.

* Only for ADT, HEX and WLO.
Offer may vary based on model.

Powered by Innovation

DEVELON

Space for dealer's stamp



HD Hyundai Infracore Europe s.r.o.
IBC – Pobrežni 620/3,
18600 Praha 8 – Karlín, Czechia

©2024 HD Hyundai Infracore. All rights reserved.

Certain specification(s) are based on engineering calculations and are not actual measurements. Specification(s) are provided for comparison purposes only and are subject to change without notice. Specification(s) for your individual Develon equipment will vary based on normal variations in design, manufacturing, operating conditions, and other factors. Pictures of Develon units may show other than standard equipment.